

LISUS[®]

DESIGN • ENGINEERING • MANUFACTURING

P Series glasscanopy

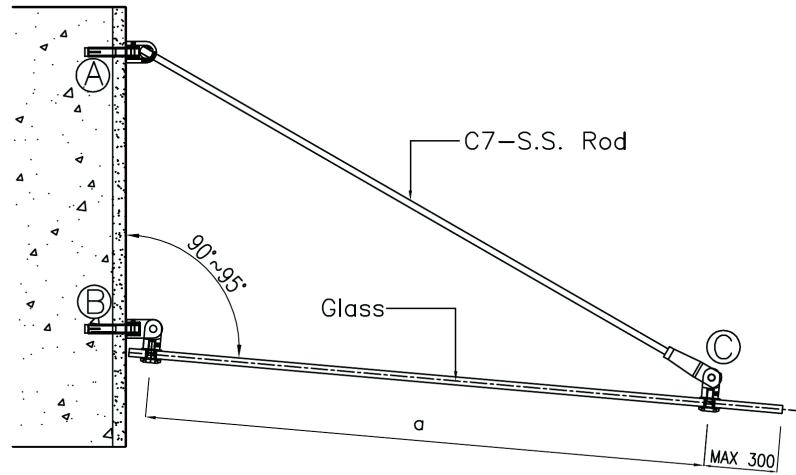


Double

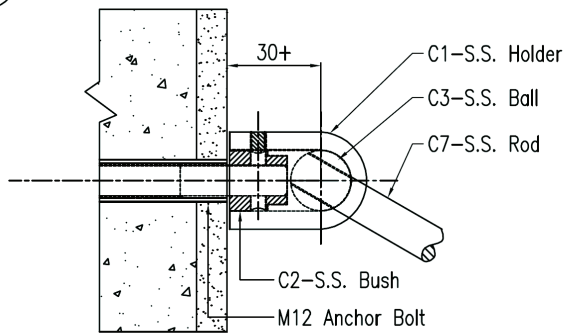


Single

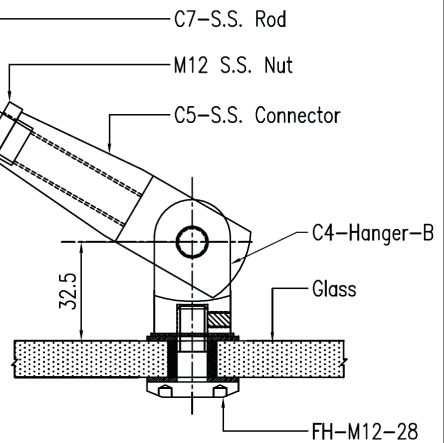
Single Canopy



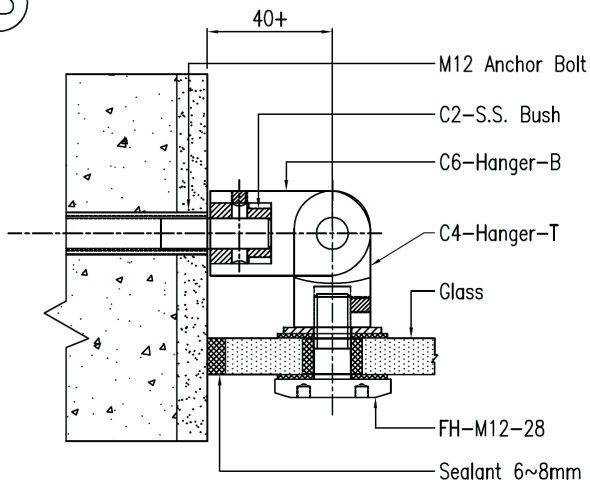
(A)



(C)



(B)



Double Canopy

