

LISUS[®]

DESIGN • ENGINEERING • MANUFACTURING



boltsassembly

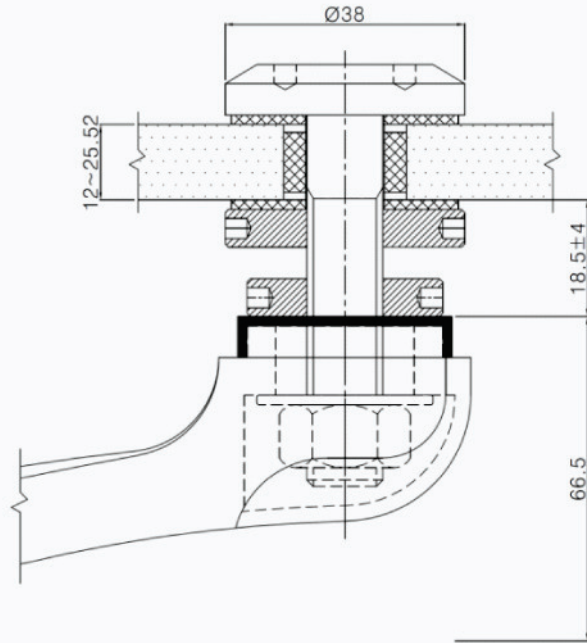
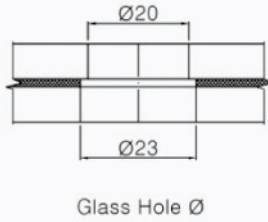


Flat Head

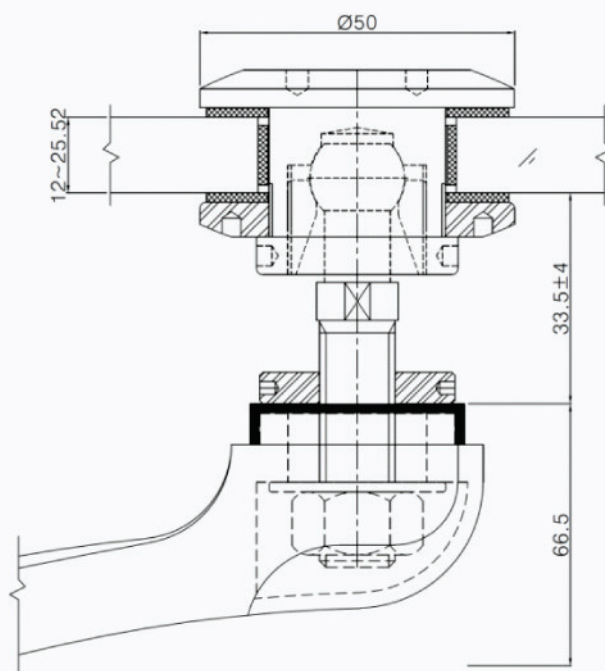
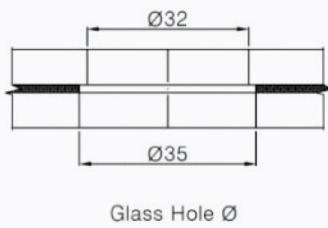


Countersunk

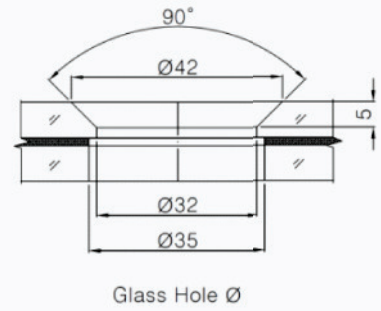
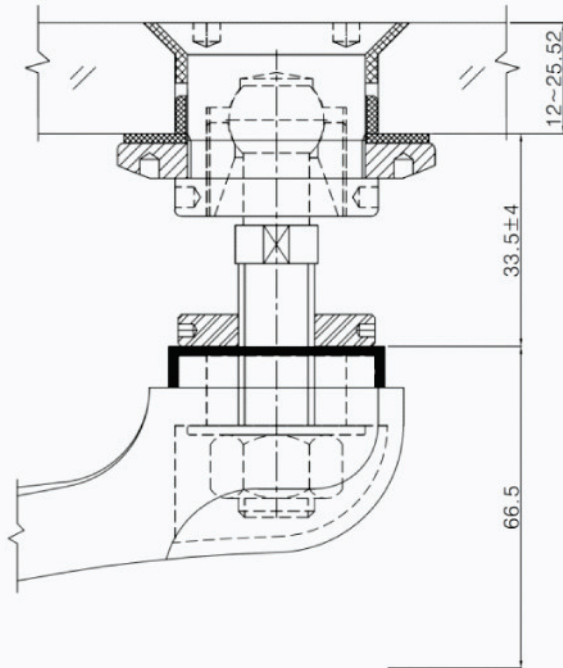
C-FHB-M12 [Flat Head Bolt M12]



C-FH-AB-M12 [Flat Head Articulated Bolt M12]



C-CS-AB-M12
[Countersunk Articulated Bolt M12]



C-DG1-AB-M12
[Double Glaze Articulated Bolt M12]

